

The Corporate Story

MixMOR



Mixers for Industry.



Mixers for Industry.

MixMor offers a full line of mixers, all of which are specifically designed and engineered to do more work, more efficiently, for a longer period of time without failure.

Beginning more than fifty years ago as a small west coast manufacturer of high-speed dispersers and mills primarily used in the paint industry, MixMor has since become a leading designer and manufacturer of industrial mixers and agitators for use in a broad spectrum of industries.

With decades of collective experience in mixer selection and design, MixMor's staff has the training and experience to recommend the correct mixing equipment for your particular applications...the solution best suited for your needs. Also, MixMor has a nationwide network of sales representatives ready to assist you.

High quality, best value for your equipment dollar, and a comprehensive line of mixers for every job. That's what you can expect from MixMor.

With over fifty years of experience, MixMor has supplied mixers for almost every type of application, so your requirement will probably not be new to us. The benefit is *"Since we've done it successfully before, we can do it again...for you."*

Some major industries benefiting from MixMor's experience include:

- Adhesives and Sealants
- Aerospace
- Agriculture
- Asphalt
- Automotive
- Chemical and Petrochemical
- Cosmetics
- Dairy
- Explosives and Munitions
- Fats and Oils
- Fertilizers and Agriculture
- Food and Beverage
- Inks
- Leather Tanning and Finishing Products
- Lime and Cement
- Man-made Fibers
- Metallurgical and Metal Products
- Paint and Coatings
- Petroleum Refining and Coal Products
- Pharmaceutical
- Plastic Materials
- Plating
- Pulp and Paper
- Rubber Products
- Soap and Related Products
- Utilities
- Wood Product
- Water and Wastewater Treatment

MixMor



MixMor Users

Many of our nation's most successful companies, from single plant operations to large corporations, use MixMor mixers. They include the following:

Alcoa Inc.
Alza Corp.
Amalgamated Sugar Co.
Anheuser Busch, Inc.
Bayer Corp.
Bridgestone/Firestone Inc.
Brown and Williamson Tobacco Corp.
Cabot Microelectronics Corp.
Campbell Soup Co.
Cargil Foods
Carter Wallace Inc.
Chevron Products Co.
Dunn-Edwards Corp.
Eastman Kodak Co.
E.I. DuPont Co.
Exxon Corp.
Frito-Lay, Inc.
Fluor Engineers and Constructors, Inc.
General Electric Co.
General Mills Food Corp.
Georgia Pacific Corp.
W.R. Grace & Co.
Hercules, Inc.
A.C. Humko Inc./Kraft Inc.
Hunt Wesson Foods
International Steel Group Inc.
Johnson Controls, Inc.
Koch Materials Co.
Lasco Bathware Products
National Gypsum Co.
Owens Corning
PPG Industries, Inc.
Joseph E. Seagram & Sons, Inc.
Thiokol Corp.
Tyson Foods, Inc.
Union Carbide Corp.
U.S. Filter Corp.
Westway Terminal Co., Inc.

Engineering...Design...Manufacture

Dedication to Quality

For most of our customers, MixMor is the preferred source for mixers. This is not accidental. We know our customers' profits are adversely affected when mixer performance leads to substandard products, longer mix times or production downtime. We design our equipment to keep your process "on line."

Our commitment to high quality standards is such that MixMor guarantees its equipment and performance when it is installed and used in accordance with factory recommendations.

Design and Engineering

In an energy conscious world, MixMor can help you conserve energy and thus minimize your operating cost. We design the optimum energy efficient mixer for every application, utilizing premium efficient motors and some of the most efficient impellers in the industry while, at the same time, providing the degree of agitation required for your application. We do not oversize mixers to protect our process guarantee.

Modified or custom mixers are a specialty, with full attention given to the most exacting details. Certified engineering drawings are available for all mixers.

Factory trained representatives, located throughout the United States, are available to provide application engineering assistance.

Manufacturing

We manufacture all mixer components, with the exception of commercially available parts, at our own plant rather than rely on outside suppliers. All work is performed under strict quality control standards and all mixers are thoroughly tested before shipment.

Parts and Service

Factory service and parts shipments are just a phone call away. MixMor is committed to maintaining a large inventory of parts to minimize your downtime. Commercially available parts are available from MixMor or your local distributor.

ring



After the Sale

Comprehensive service instructions and spare parts list are furnished with each mixer. MixMor's representatives can provide on-site startup assistance as required.

These are just a few of the reasons why MixMor mixers and agitators stay on the job when the goings get tough...and why satisfied users regularly purchase additional MixMor mixers. They know they can count on MixMor for efficient and dependable equipment.

Features and Benefits

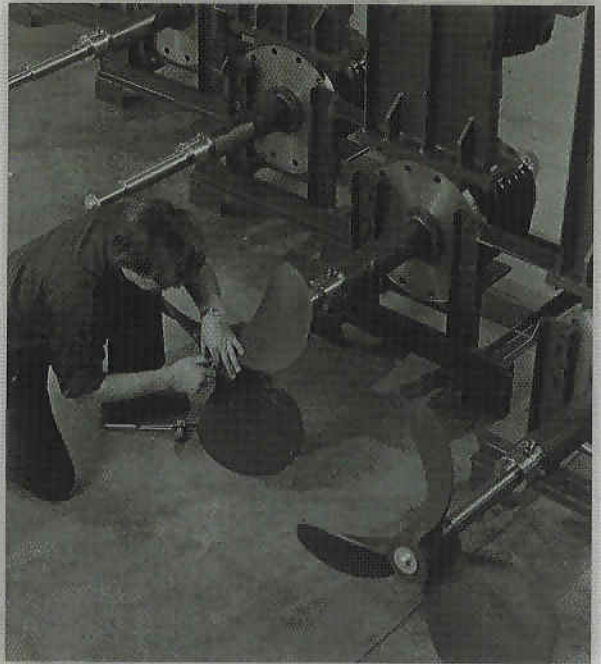
We realize the important role mixing equipment plays in the manufacture of your products. That is why MixMor works with you before the installation to be sure you get the right mixing equipment to suit your needs. Here are some reasons why you should purchase a MixMor mixer:

Extended Operating Life

Our fifty years of experience on the industrial mixing business has enabled us to refine and perfect our designs for maximum service life. All mechanical and electrical components are conservatively designed and applied...they are never marginal.

High Efficiency Impellers and Ground Shafts

Precision ground shafts operate at a low percentage of first critical speed. They are designed to very conservative combined torsional and bending stress levels. The most efficient impellers are selected to suit the application, and are balanced for vibration-free operation.



Dependable Gear Reducers

All reducers are specifically designed for mixer service and meet American Gear Manufacturer Association (AGMA) standards, and manufacturers are ISO 9001/9002 certified.

Reliable Motors

All electric motors meet National Electrical Manufacturer Association (NEMA) specifications and are standard models from major manufacturers. They are available from stock.

Capabilities...Components...Material...

When it comes to mixers and agitators, MixMor's product line is broad enough to meet virtually every application. Included in various combinations are:

Motors

- Electric...AC or DC
- Pneumatic
- Hydraulic
- Multiple speed

Gear Reducers

- Helical
- Helical/Bevel
- Worm
- Helical/Worm
- Change gear provision

Shaft Seals

- Vapor seals
- Packed stuffing box
- Single mechanical seals
- Double mechanical seals
- Dry running mechanical seals
- Seal cooling systems

Wetted Parts Materials

- Carbon steel
- T304 & T304L stainless steel
- T316 & T316L stainless steel
- Hastelloy
- Monel
- Alloy 20
- Titanium CP
- Nickel
- Inconel
- Any machinable alloy

Shaft and Impeller Coatings

- Polyvinyl chloride (PVC)
- Teflon
- Kynar
- Penton
- Kel-F
- Natural rubber
- Neoprene rubber
- Hypalon rubber
- Epoxy
- Fiberglass

Impeller Types

- FM3, FM3W & FM4 Hydrofoil
- PBT3 & PBT4 Pitched blade turbines
- VFBT4 & VFBT6 Vertical flat blade turbines
- FBDT4 & FBDT6 Rushton turbines
- CBT4 Curved blade turbine
- PS3 & PH3 Propellers
- HFSM & HSSM Disperser disk
- Helical ribbon
- Custom designs

Accessories

- Torque limiting couplings
- Tachometers
- Ammeters
- Torque sensors
- Space heaters
- Seal cooling systems
- Portable mixer lifts

Options

- USDA accepted models
- Stainless steel motors
- All stainless steel mixers
- Variable speed...Inverter, SCR, or mechanical
- Sanitary finishes
- Seal shutoff devices

MixMor

®

Mixers for Every Industrial Application...

Guarantee

Mechanical MixMor guarantees materials and workmanship of all products for one year from date of shipment.

Process

All mixers are guaranteed for performance when their installation and use is in accordance with engineering recommendations made by MixMor.

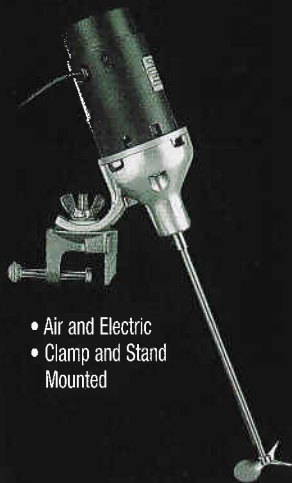
MixMor

3131 Casitas Avenue
Los Angeles, CA 90039
Telephone: 323.664.1941
Fax: 323.660.5677
E-mail: info@mixmor.com

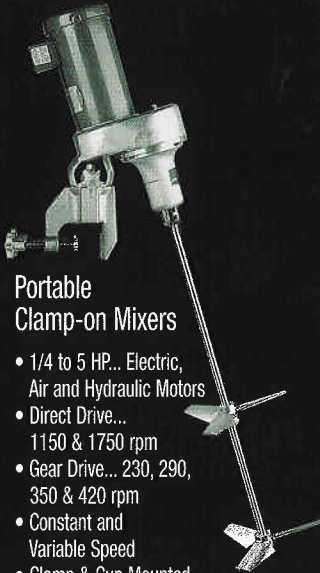
Visit our Web Site at:
www.mixmor.com

Laboratory Mixers

- Variable Speed
- Constant Speed
- Speed Ranges 2 to 6000 rpm



- Air and Electric
- Clamp and Stand Mounted



Portable Clamp-on Mixers

- 1/4 to 5 HP... Electric, Air and Hydraulic Motors
- Direct Drive... 1150 & 1750 rpm
- Gear Drive... 230, 290, 350 & 420 rpm
- Constant and Variable Speed
- Clamp & Cup Mounted
- USDA Accepted Designs

Fixed Mount-Top Entering Mixers

- 1/4 to 5 HP... Electric, Air and Hydraulic Motors
- Direct Drive... 1150 & 1750 rpm
- Gear Drive... 230, 290, 350 & 420 rpm
- Constant & Variable Speed
- Baseplate & Flange Mounted
- Low and High Pressure Stuffing Boxes
- Mechanical Seal Designs

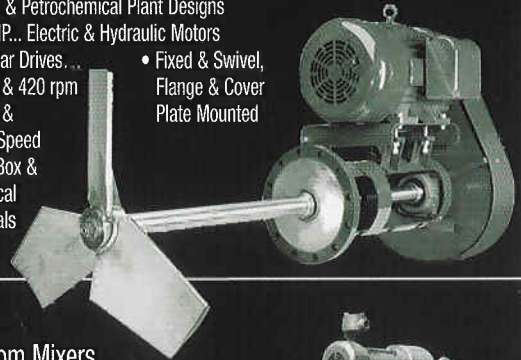


Turbine Mixers

- 1/4 to 150 HP... Electric and Hydraulic Motors
- Constant & Variable Speed... 1 to 350 rpm
- Worm Gear, Helical/Worm... All Helical... Helical/Spiral Bevel
- Baseplate & Flange Mounted
- High & Low Pressure Stuffing Boxes
- Single & Double Mechanical Seals

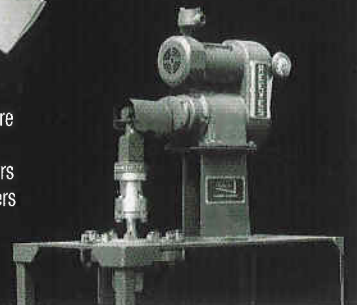
Side Entering Mixers

- Chemical & Petrochemical Plant Designs
- 1 to 75 HP... Electric & Hydraulic Motors
- Belt & Gear Drives... 280, 350 & 420 rpm
- Constant & Variable Speed
- Stuffing Box & Mechanical Shaft Seals
- Fixed & Swivel, Flange & Cover Plate Mounted



Custom Mixers

- Pilot Plant Mixers
- High Temperature & Pressure Laboratory Reactors
- Redwood Paddle Flocculators
- Anchor, Ribbon & Gate Mixers
- Inline mixers
- Bottom Entering Mixers



Your Local Representative Is: