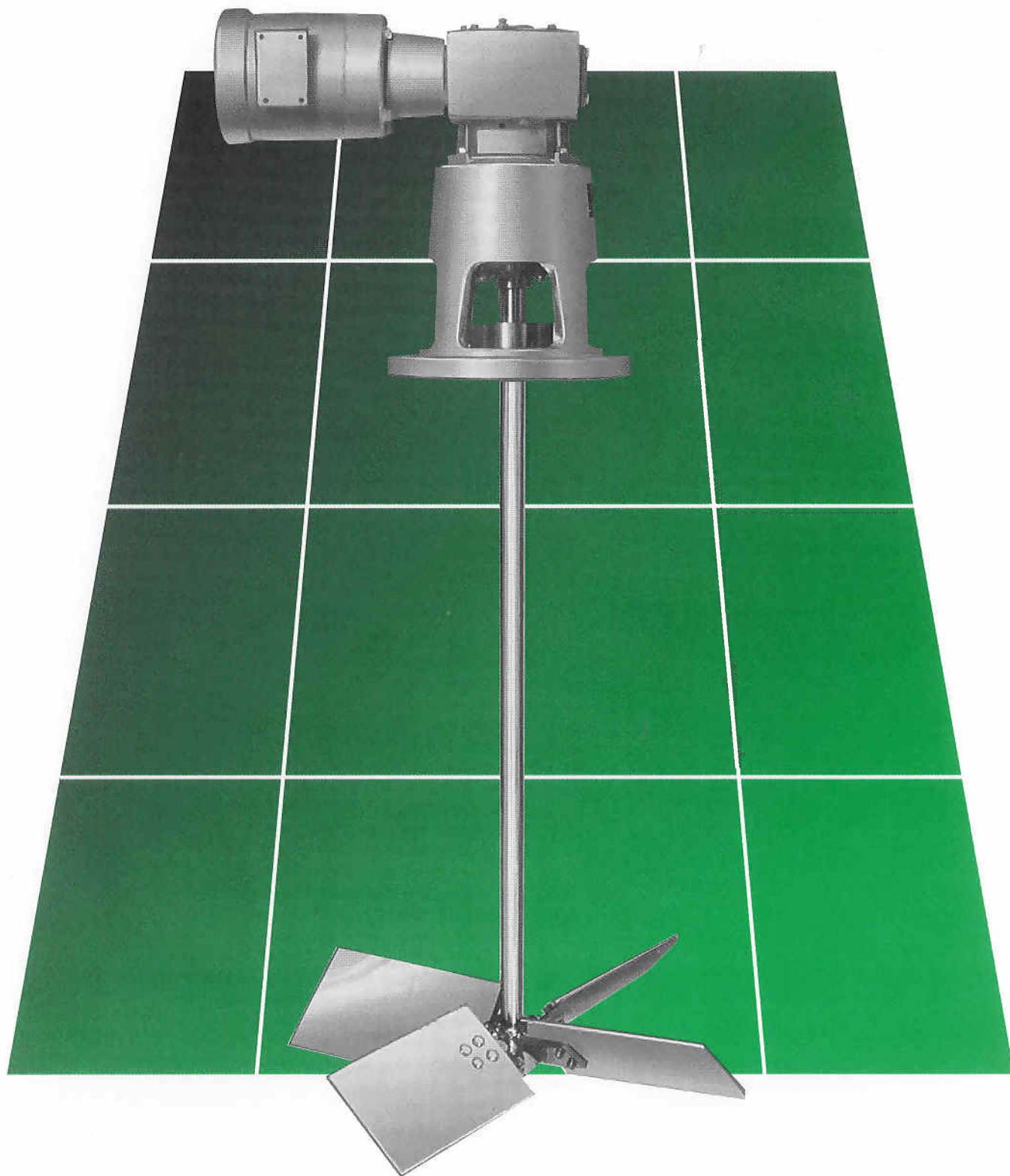


# TURBINE MIXERS FOR INDUSTRY...

Drive Series G



Agriculture  
Biochemical  
Brewing & Distilling  
Chemical  
Cosmetic

Food Processing  
Heat Treating  
Mining  
Oil & Refining  
Paint & Coatings  
Petrochemical  
Pharmaceutical  
Photographic  
Plastics  
Pulp & Paper  
Rubber Products

## G SERIES TURBINE MIXERS



The G Series turbine is a low horsepower mixer which provides a practical solution for applications that for process or mechanical considerations preclude the use of fixed mount top entering mixers, yet do not justify the use of larger turbine mixers. Used in a wide spectrum of applications including simple blending as well as viscous blending, they are well suited for those applications which are controlled by tank circulation such as solid suspension and heat transfer. They are frequently used in applications requiring fluid shear and mass transfer, for example; gas absorption, dissolution, crystallization and various reactions.

### PROVEN PERFORMANCE

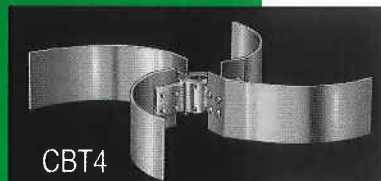
Heavy duty single reduction worm gear drives provide output speeds from 29 to 350 rpm with 1/3 to 5 horsepower 'C' face motors. Reducers are grease lubricated for life and housings are aluminum. Pedestal design incorporates a self-aligning bearing which absorbs the overhung and radial mixer shaft loads insuring an extended gear reducer life.

## IMPELLERS

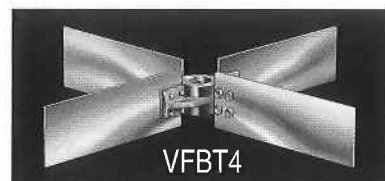
Mixing applications have different process requirements and that is why MixMor's engineers have such a complete selection of impellers - ranging from the conventional pitched blade turbine to



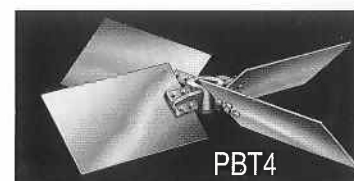
FM4



CBT4



VFBT4



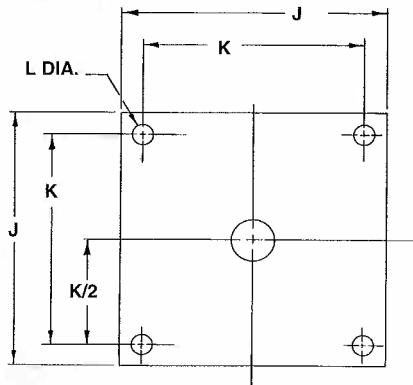
PBT4

Textile  
Waste Treatment  
Water Treatment

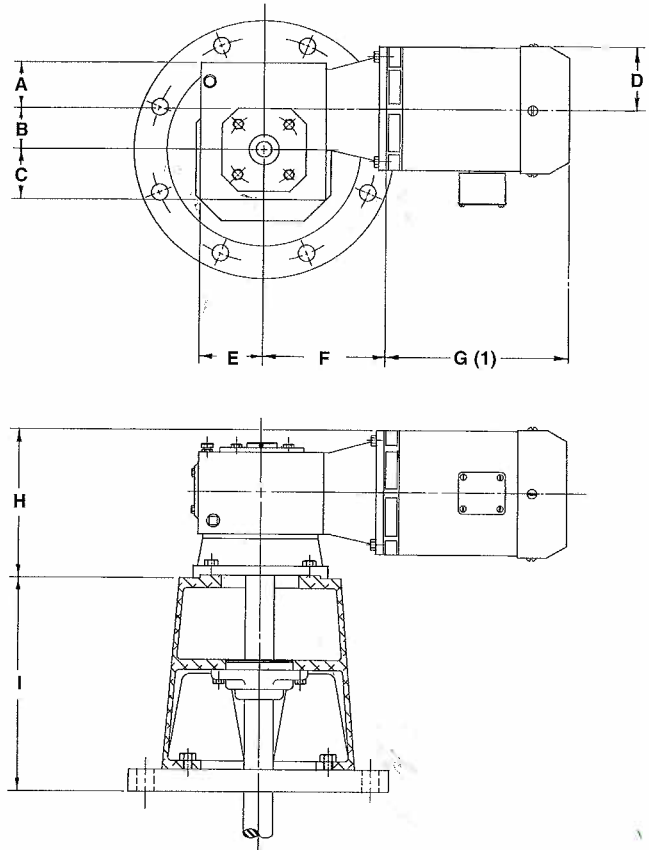
the FloMor high-efficiency hydrofoil impeller. In addition to our diverse selection of standard impellers, we can design custom impellers that will solve your toughest mixing problems. MixMor has the optimum impeller for your application.

# DRIVE SERIES G DIMENSIONS

## Model TO

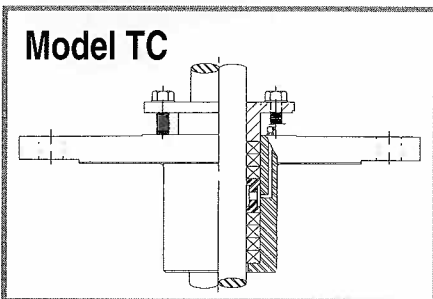


Baseplate for channel mounting on open tanks.

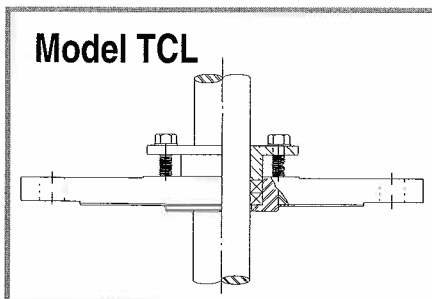


REDUCTION	Drive Series & Size	ALL MODELS									MODEL TO BASEPLATE			MODELS TCL, TC, TCM FLANGE SIZE
		A	B	C	D	E	F	G	H	I	J	K	L	
SINGLE	G22	2 3/8	2 1/8	2 5/8	3 1/2	3 5/16	6 3/8	11 1/4	7 1/2	11	12	10	7/8	8" - 150#
	G27	2 7/16	2 11/16	3 1/4	3 1/2	3 7/8	6 15/16	13 3/8	7 3/4	11	12	10	7/8	8" - 150#
	G30	3 3/16	3	3 1/2	3 1/2	6 9/16	8 3/16	13 3/8	9	11	12	10	7/8	8" - 150#
	G35	3 1/4	3 1/2	4	3 1/2	7	8 5/8	13 3/8	9 3/8	11	12	10	7/8	8" - 150#

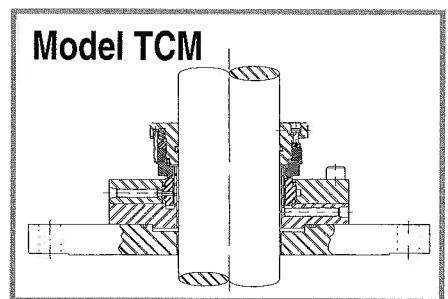
(1) Maximum length, exact length dependent upon motor horsepower  
Note: All dimensions are approximate. Certified drawings are available upon request. Dimensions in inches.



High pressure stuffing box for use on closed vessels with vapor to 150 PSIG pressure. The seal uses seven rings of packing and a lantern ring for lubricant distribution. Packing will be selected for your application.



Low pressure stuffing box for use on closed vessels with up to 10 PSIG pressure. It uses two rings of self-lubricating packing. The packing furnished with the mixer will be selected to suit your application.



Mixers can be furnished with various types and manufacturers of mechanical seals including cartridge type double balanced, single and double dry running, metal bellows, tandem, water cooled, split and seals with sanitary containment glands.

